



■ AC Plug Type for Wall Mount Type

AC plug type	2 pin Euro	2 pin USA	2 Pin China	2 pin AU	2 pin JP	2 pin KR	2 pin AR	3 pin UK	3 pin South Africa	Interchangeable
Shape No.	KRE24E	KRE24U	KRE24C	KRE24S	KRE24J	KRE24K	KRE24R	KRE24BS	KRE24Z	

■ AC inlet Type for Desktop Type

Insulation Class	Class I	Class I	Class II
AC inlet type	3 pole IEC320-C6	3 pole IEC320-C14	2 pole IEC320-C8
Shape No.	KRE24A-C6		KRE24B-C8

■ Features

- Universal AC input Full range
- 2 pole US, EU, AU/NZ, EK, JP, AR,CN and 3 pole UK or ZA plug, Class II power unit
- No load power consumption < 0.1W
- Energy efficiency Level VI
- Comply with EISA 2007 / DoE and NRCan
- Protections: Short circuit / Overload /Over voltage
- Fully enclosed plastic case
- Wide range working temperature

■ Applications

- Consumer electronic devices
- Telecommunication devices
- Office facilities
- Industrial equipment



■ Description

KRE24x is a highly reliable, 24W wall-mounted and desktop style single-output green adaptor series. This product is a class II power unit (no FG) and Class I with FG power unit, standard AC power plug, adopting the input range from 90VAC to 264VAC. The entire series supplies different models with output voltages ranging between 5VDC and 24VDC that can satisfy the demands for various types of consumer electronic devices.

■ **Mechanical Characteristics**

- see below Dimension Diagrams

■ **Characteristics**

Input:

AC Input Voltage Rating

100 to 240VAC

AC Input Voltage Range

90 to 264VAC

AC Input Frequency

47 to 63Hz

Leakage Current

0.25A maximum at 264VAC

Inrush Current (Cold Start at ambient 25° C)

30A for 120VAC and maximum load 60A for 240VAC at maximum load

Input Power Saving

0.1W maximum at no load

Output: Efficiency

Meet energy saving efficiency level VI.

Hold-up Time

10mS minimum at 120VAC and maximum load

Environmental Temperature

Operation 0 to +40° C

Non-operation -40 to +85° C

Humidity 10-90% non-condensing

Short-Circuit Protection

Auto restart

Emissions

Complies with FCC Class B Complies with EN55032 Class B

Immunity

AN/NZS CISPR32/33

EN55024 J55022(H22)

EN61000-4-2	Level	EN61000-4-3	Level
-------------	-------	-------------	-------

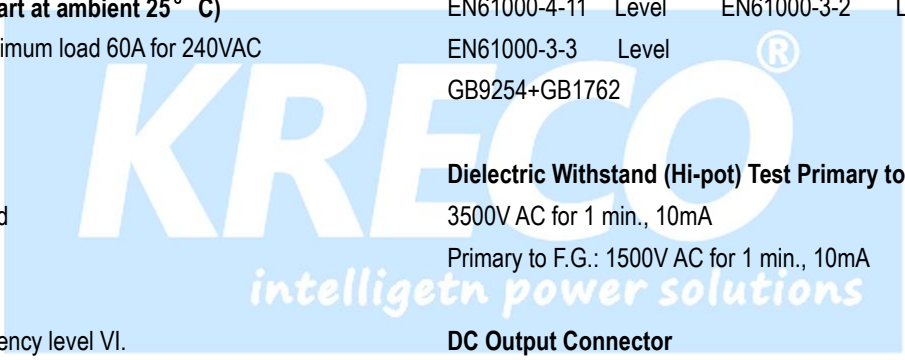
EN61000-4-4	Level	EN61000-4-5	Level
-------------	-------	-------------	-------

EN61000-4-6	Level	EN61000-4-8	Level
-------------	-------	-------------	-------

EN61000-4-11	Level	EN61000-3-2	Level
--------------	-------	-------------	-------

EN61000-3-3	Level
-------------	-------

GB9254+GB1762



Dielectric Withstand (Hi-pot) Test Primary to Secondary:

3500V AC for 1 min., 10mA

Primary to F.G.: 1500V AC for 1 min., 10mA

DC Output Connector

2.1 x 5.5mm Center Positive+ Standard or equivalent,

Or see *KRE-connectors-Spec.pdf*

<https://www.kreco.com.cn/view.php?id=1285>

Output Cable

1.5 meter (4.92 feet), UL2468, from 24-16AWG gauge or equivalent

Mating Connector

Equivalent

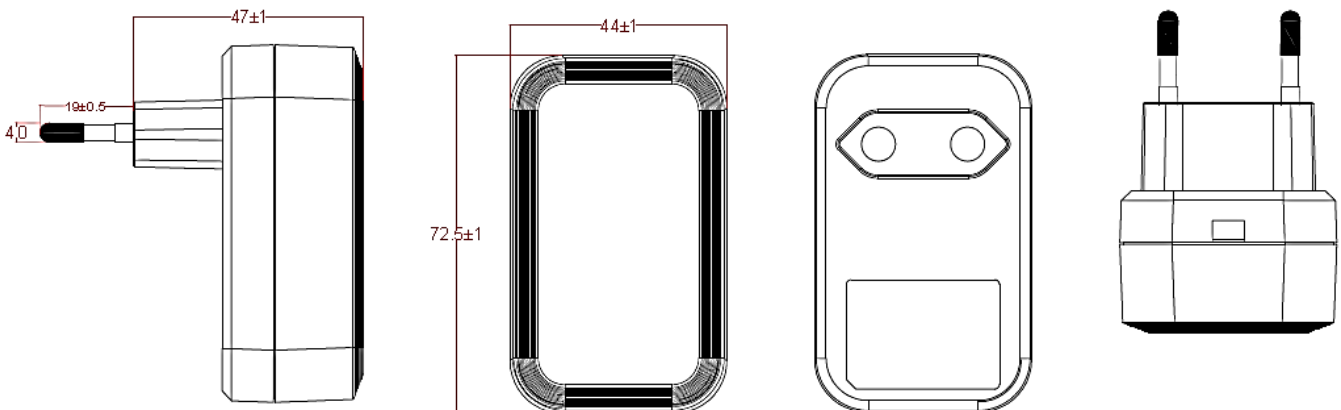
■ Output Specifications

KRECO P/N (see note)	DC Output Voltage	Load		Output Power	Safety Approvals	Energy Savin g Level	Standards
		Min	Max				
KRE024SPS-xxxxyyzf or KRE-xxxxyyZ or LY024SPS-xxxxyyzf	5.0- 8.9V	0.01A	3.0A	18W max	UL/CUL/FCC,CE/GS/EMC,TUV/BS,RCM ,CCC/CQC,EK,PSE	V&VI	EN/IEC62368,UL623 68
	9.0- 14.9V	0.01A	2.0A	24W max	UL/CUL/FCC,CE/GS/EMC,TUV/BS,RCM ,CCC/CQC,EK,PSE	V&VI	EN/IEC62368,UL623 68
	15.0- 24.0V	0.01A	1.6A	24W max	UL/CUL/FCC,CE/GS/EMC,TUV/BS,RCM ,CCC/CQC,EK,PSE	V&VI	EN/IEC62368,UL623 68
	5.0- 8.9V	0.01A	3.0A	18W max	UL/CUL/FCC,CE/GS/EMC,TUV/BS,RCM Interchangeable	V&VI	EN/IEC62368,UL623 68
	9.0- 14.9V	0.01A	2.0A	24W max	UL/CUL/FCC,CE/GS/EMC,TUV/BS,RCM Interchangeable	V&VI	EN/IEC62368,UL623 68
	15.0- 24.0V	0.01A	1.6A	24W max	UL/CUL/FCC,CE/GS/EMC,TUV/BS,RCM Interchangeable	V&VI	EN/IEC62368,UL623 68

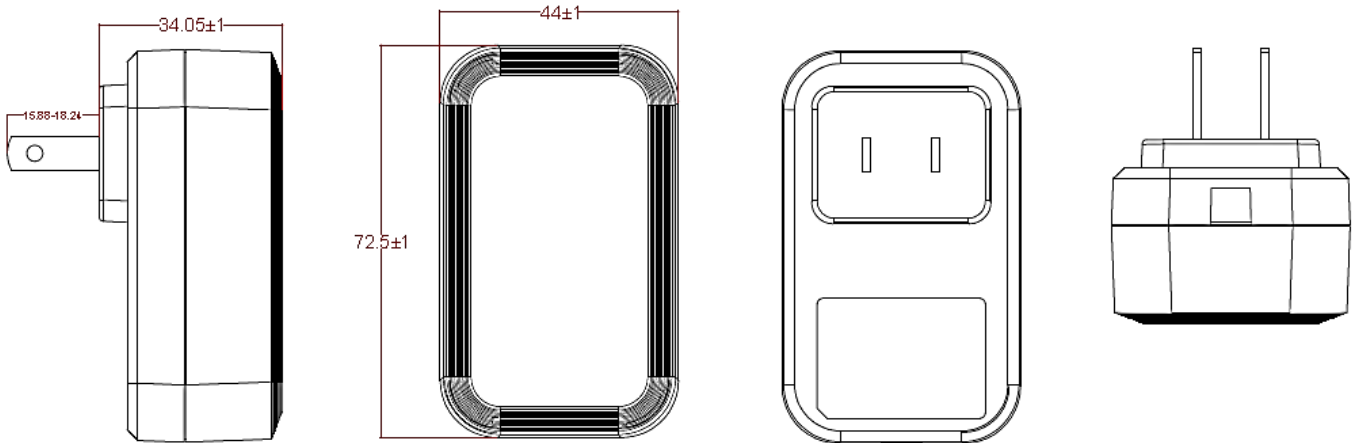


■ Dimension Diagram for KRE24E

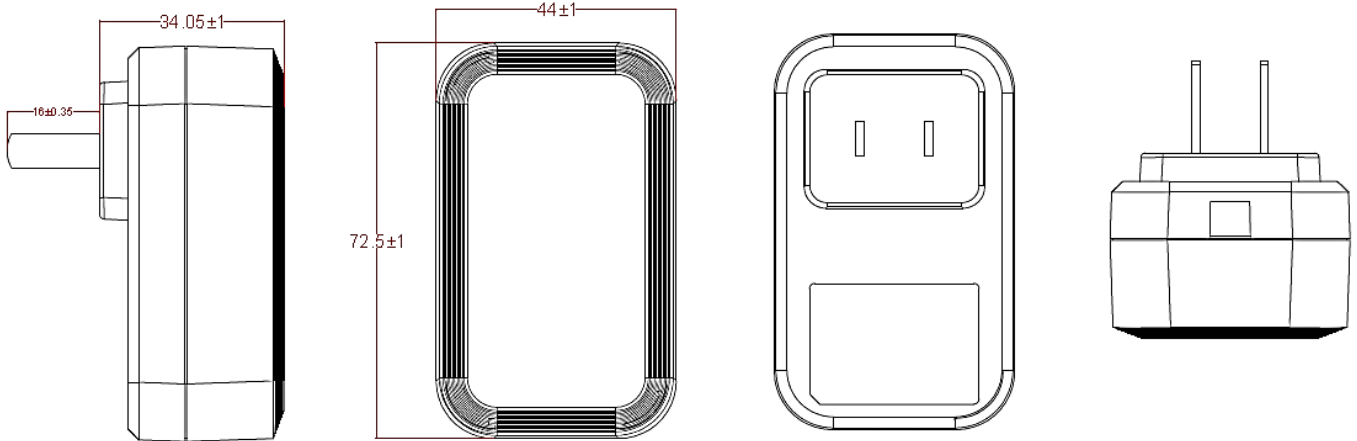
Unit:mm



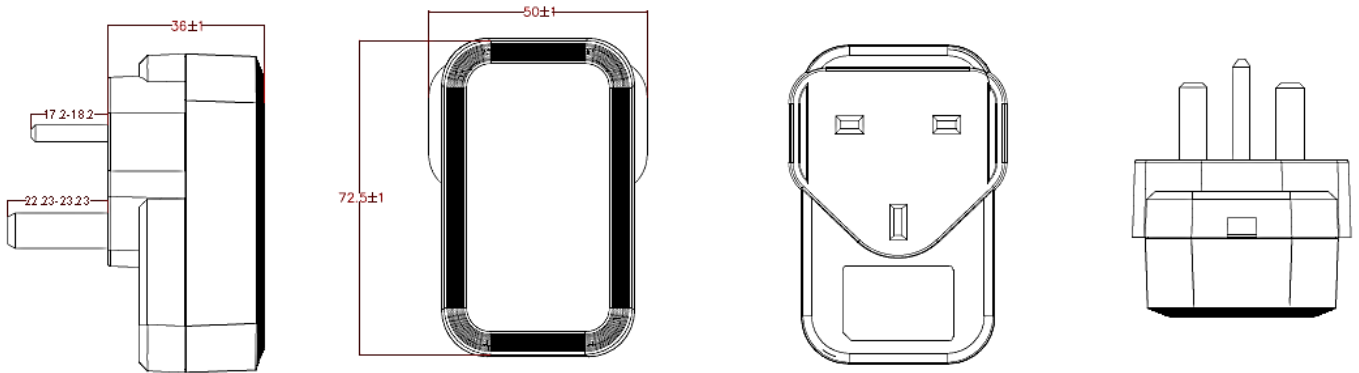
■ Dimension Diagram for KRE24U and KRE24J Unit:mm



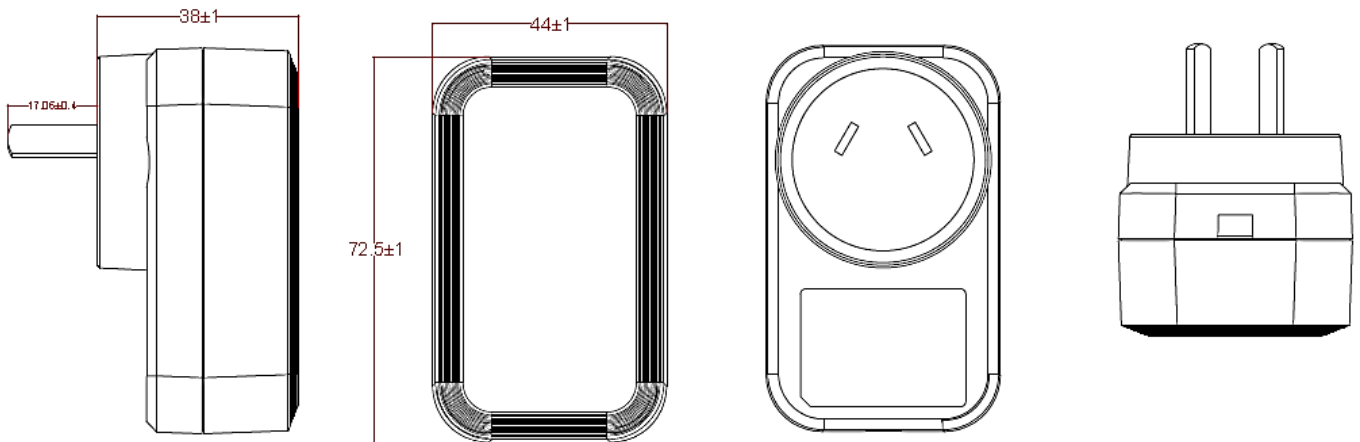
■ Dimension Diagram for KRE24C Unit:mm



■ Dimension Diagram for KRE24BS Unit:mm

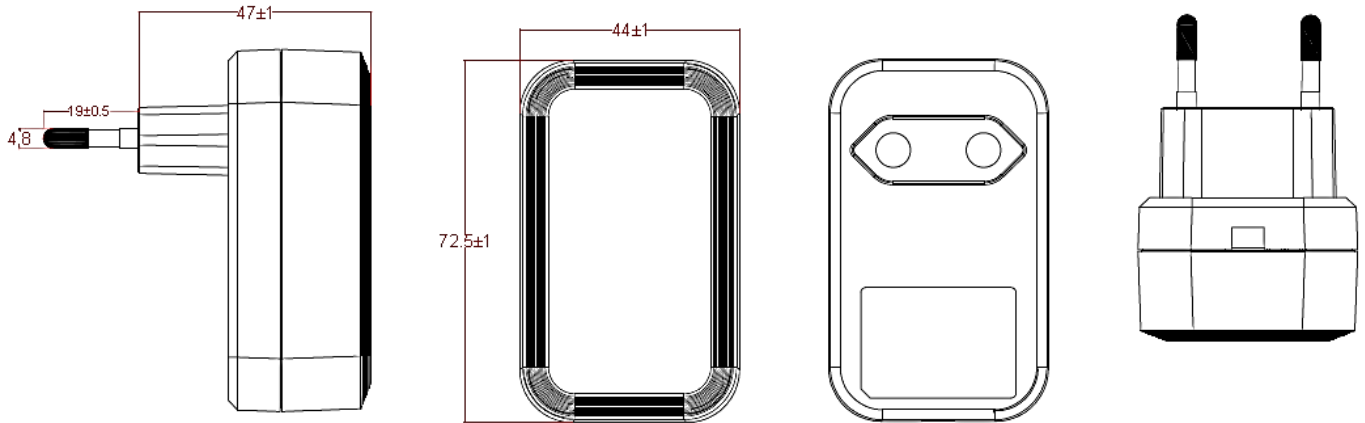


■ Dimension Diagram for KRE24S Unit:mm



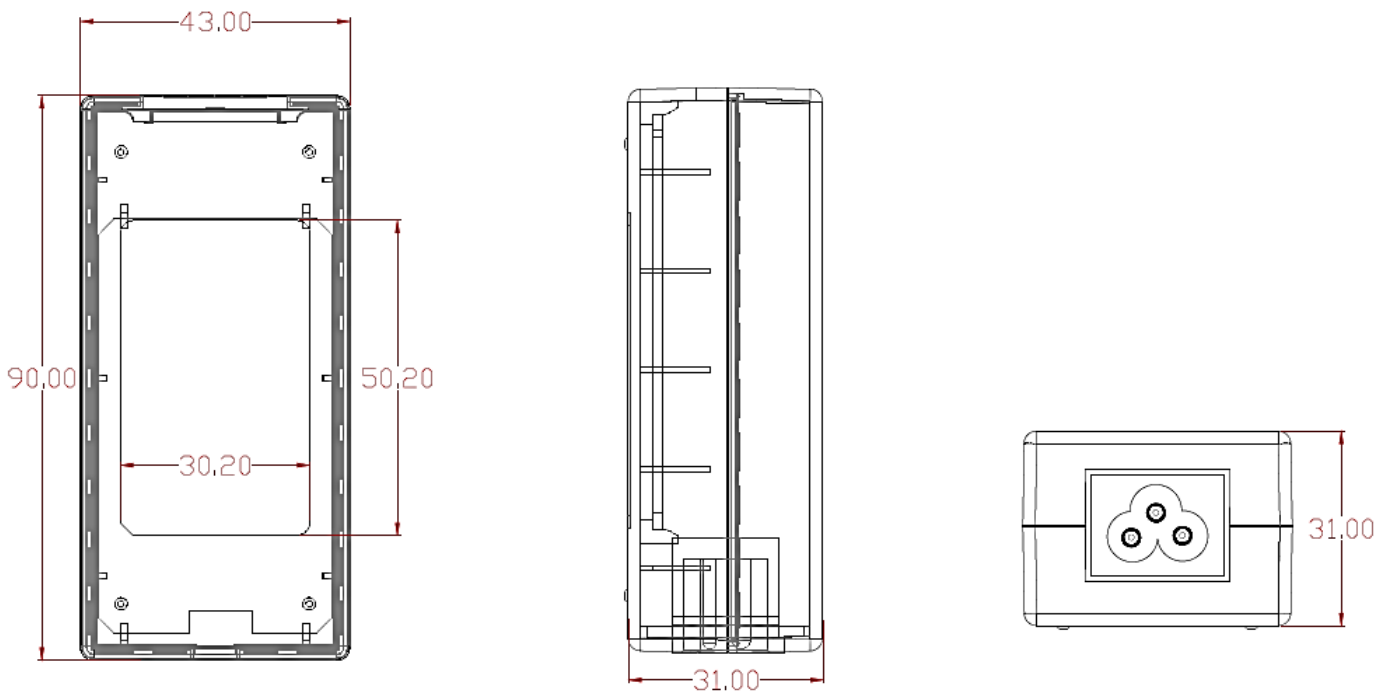
■ Dimension Diagram for KRE24K

Unit:mm



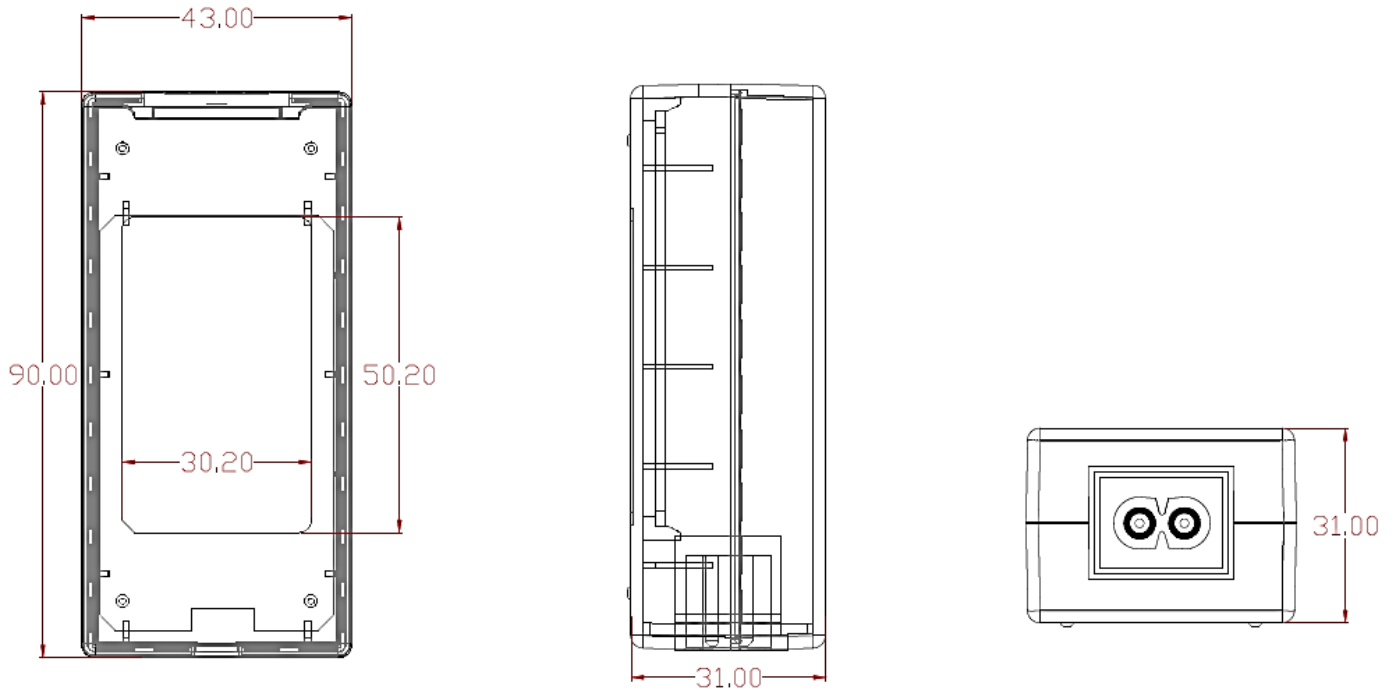
■ Dimension Diagram for KRE24A-C6

Unit:mm



■ Dimension Diagram for KRE24B-C8

Unit:mm



- (1) X = E for EU version, U for US version, C for Chinese version, BS for UK version, S for Australian version, J for Japanese version, K for South Korea version, R for Argentina version, Z for South Africa (3 Big pins) version, I for Interchangeable version,
 - (2) xxx for Output voltage and yyy for output current, what you are going to order, please must specify to sales.
 - (3) Safety approvals according to the plug type Z or F are variables, which are different from each other, for example, 0 for European plug, 1 for British plug, 2 for Australian plug, 3 for USA plug, 4 for Japan plug, 5 for China plug, 6 for Korea plug, 7 for South Africa plug, 8 for India plug, 9 for Argentina plug, I for interchangeable plugs, D for AC inlet desktop type, DG/0G for Gigabit type, DM/0M for Megabit type, DGS for Gigabit Surge type, Z can be U and F can be U, H, V, etc.
 - (4) Safety model number differs from the order number, part number, and shape number as per respective OEM/ODM.
- Kreco is not responsible for any error, and reserves the right to make changes without notice. Please visit our website at <https://www.kreco.com.cn> for the most up-to-date specifications and contact information.